

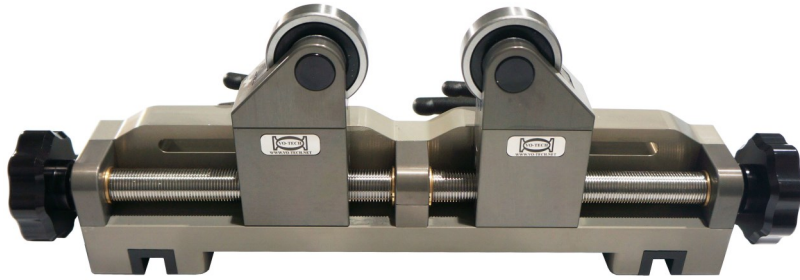
THE PERFECT ADDITION TO YOUR SHOP FLOOR OR QUALITY CONTROL DEPARTMENT! OUR V-BLOCK ROLLERS ARE A PATENT-PENDING, MULTI-USE SOLUTION FOR CHECKING RUNOUT IN SHAFTS.

**FEATURES:**

- ACCOMODATE SHAFTS FROM 1/8" TO 12" DIAMETER
- VARIETY OF ATTACHMENTS (BEARINGS, V-BLOCKS)
- CUSTOM FIT CARRYING CASE
- HARDCOAT W/PTFE ANODIZED FOR LONG LIFE
- T.I.R FOR ROLLERS ATTACHMENTS IS LESS THAN 0.0006"
- QUICK & EASY SETUP
- ADJUSTABLE LEVELING FEET
- AVAILABLE RAIL SYSTEM FOR ENHANCED REPEATABILITY (2-12' LONG)
- WEIGHT RANGE 50-2000 LBS (DEPENDING ON ATTACHMENT)

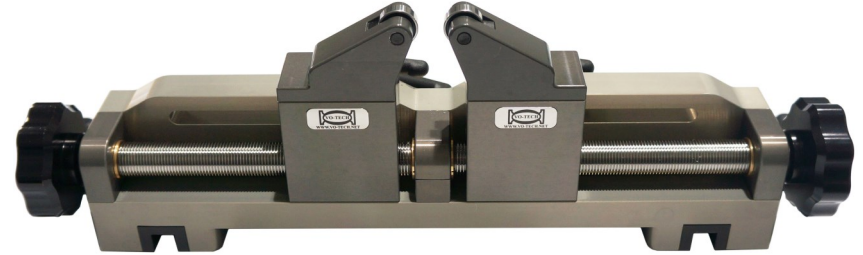
# V-BLOCK ROLLERS

## AVAILABLE ATTACHMENTS



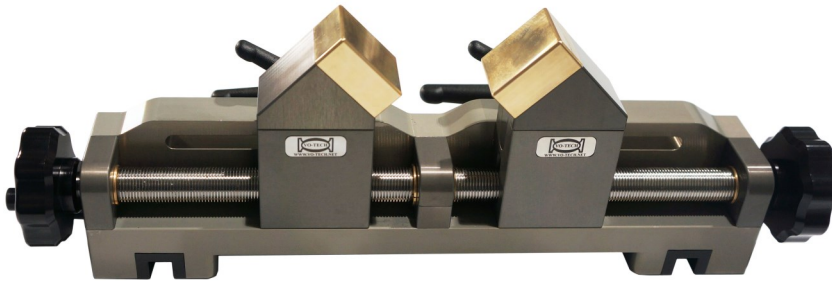
**HEAVY DUTY ROLLERS ATTACHMENTS**

SUPPORT UP TO 2000 LBS PER SET (500 LBS PER BEARING MAX)

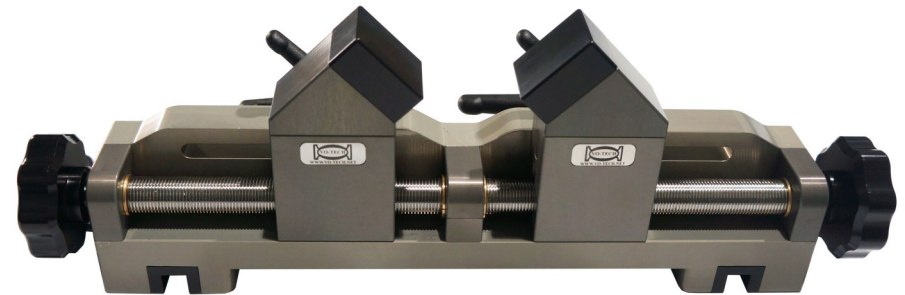


**LIGHT DUTY ROLLERS ATTACHMENTS**

SUPPORTS UP TO 100 LBS PER SET (25 LBS PER BEARING MAX)



**BRONZE BLOCKS ATTACHMENTS**



**DELFIN BLOCKS ATTACHMENTS**



**FOAM LINED HARD STORAGE CASE FOR SAFE TRANSPORTATION AND EASY STORAGE.**



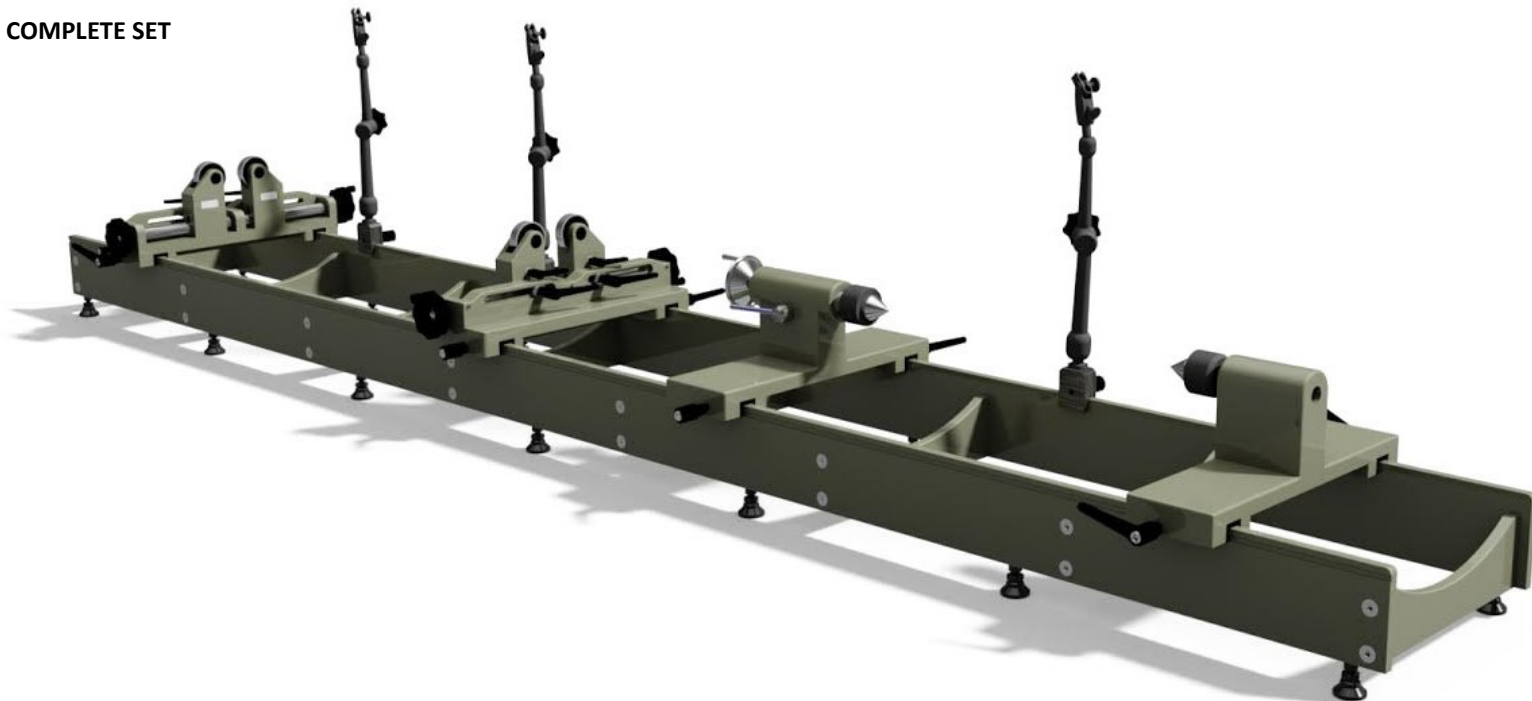
**RAIL SYSTEM FOR ENHANCED REPEATABILITY**

# V-BLOCK ROLLERS

V-INDICATOR HOLDER

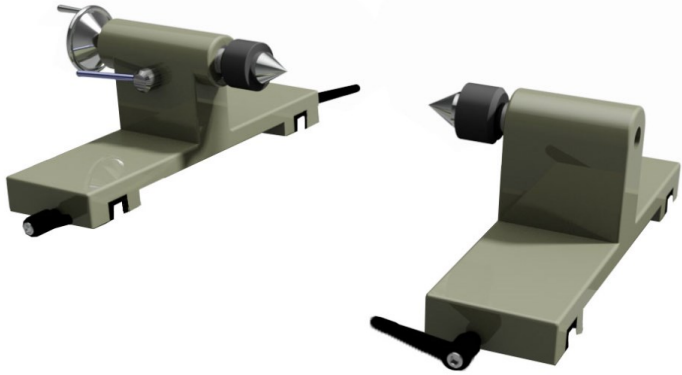


COMPLETE SET





# V-BLOCK ROLLERS



VT-643741003 - VBlock Rollers Centers



VT-643741020 - VBlock Rollers Set



VT-647341040 - VBlock Rollers Support Beam

Beam are available in different lengths.

We also offer custom designed support bases.



VT-643741028 - Indicator Holder



VT-74111370 - Interapid indicator .06" travel, .001 graduation

VT-74111372 - Interapid indicator .04" travel, .0001 graduation



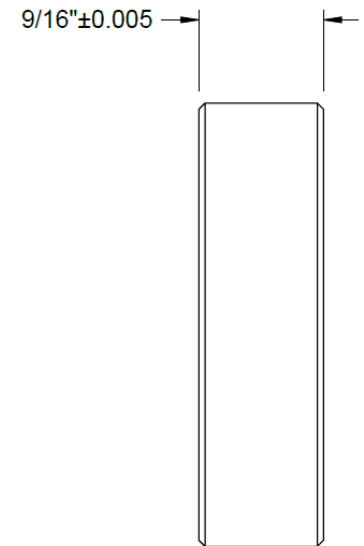
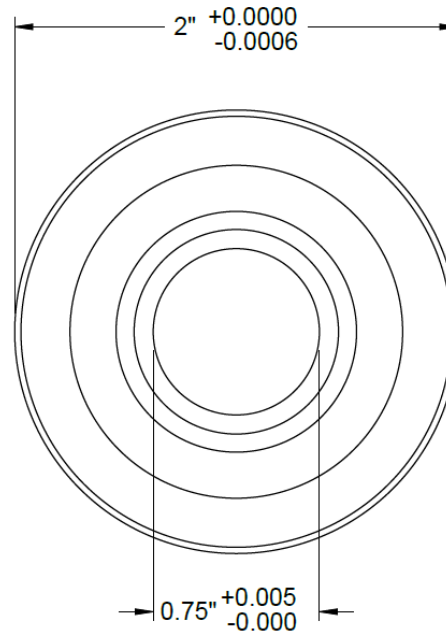
VT-53295 - Starrett Indicator 1.0" Travel, .001" graduation

VT-53301 - Starrett Indicator 0.2" Travel, .0001" graduation

**Heavy Duty Rollers Attachments - Ball Bearings information**

Sealed, Number 3038-2RS, for 3/4" Shaft Diameter

<b>Bearing Type</b>	<b>Ball</b>
For Load Direction	Radial
Construction	Single Row
Seal Type	Sealed
Inner Ring Type	Standard
Ball Bearing Type	Standard
Trade No.	3038-2RS
For Shaft Type	Round
For Shaft Diameter	3/4"
ID	0.75"
ID Tolerance	0" to 0.005"
For Housing ID	2"
OD	2"
OD Tolerance	-0.0006" to 0"
Width	9/16"
Width Tolerance	-0.005" to 0.005"
Ring Material	Steel
Ball Material	Steel
Cage Material	Nylon Plastic
Seal Material	Buna-N Rubber
Radial Load Capacity, lbs.	
Dynamic	1,450
Static	1,350
Maximum Speed	2,500 rpm
Lubrication	Lubricated
Lubricant	Grease
Shaft Mount Type	Press Fit
Temperature Range	-20° to 250° F
ABEC Rating	Not Rated
Min. Radial Clearance	0.001"
Maximum Radial Clearance	0.005"
RoHS	Compliant



## Light Duty Rollers Attachments - Ball Bearings information

Sealed, Trade Number R4A-2RS, for 1/4" Shaft Diameter

Bearing Type	Ball
For Load Direction	Radial
Construction	Single Row
Seal Type	Sealed
Inner Ring Type	Standard
Ball Bearing Type	Standard
Trade No.	R4A-2RS
For Shaft Type	Round
For Shaft Diameter	1/4"
ID	0.25"
ID Tolerance	-0.0003" to 0"
For Housing ID	3/4"
OD	0.75"
OD Tolerance	-0.0004" to 0"
Width	9/32"
Width Tolerance	-0.005" to 0"
Ring Material	Steel
Ball Material	Steel
Cage Material	Steel
Seal Material	Buna-N Rubber
Radial Load Capacity, lbs.	
Dynamic	620
Static	230
Maximum Speed	30,000 rpm
Lubrication	Lubricated
Lubricant	Grease
Shaft Mount Type	Press Fit
Temperature Range	-20° to 230° F
ABEC Rating	ABEC-1
Radial Clearance Trade No.	C3
Radial Clearance	0.0003" to 0.0009"
RoHS	Compliant

