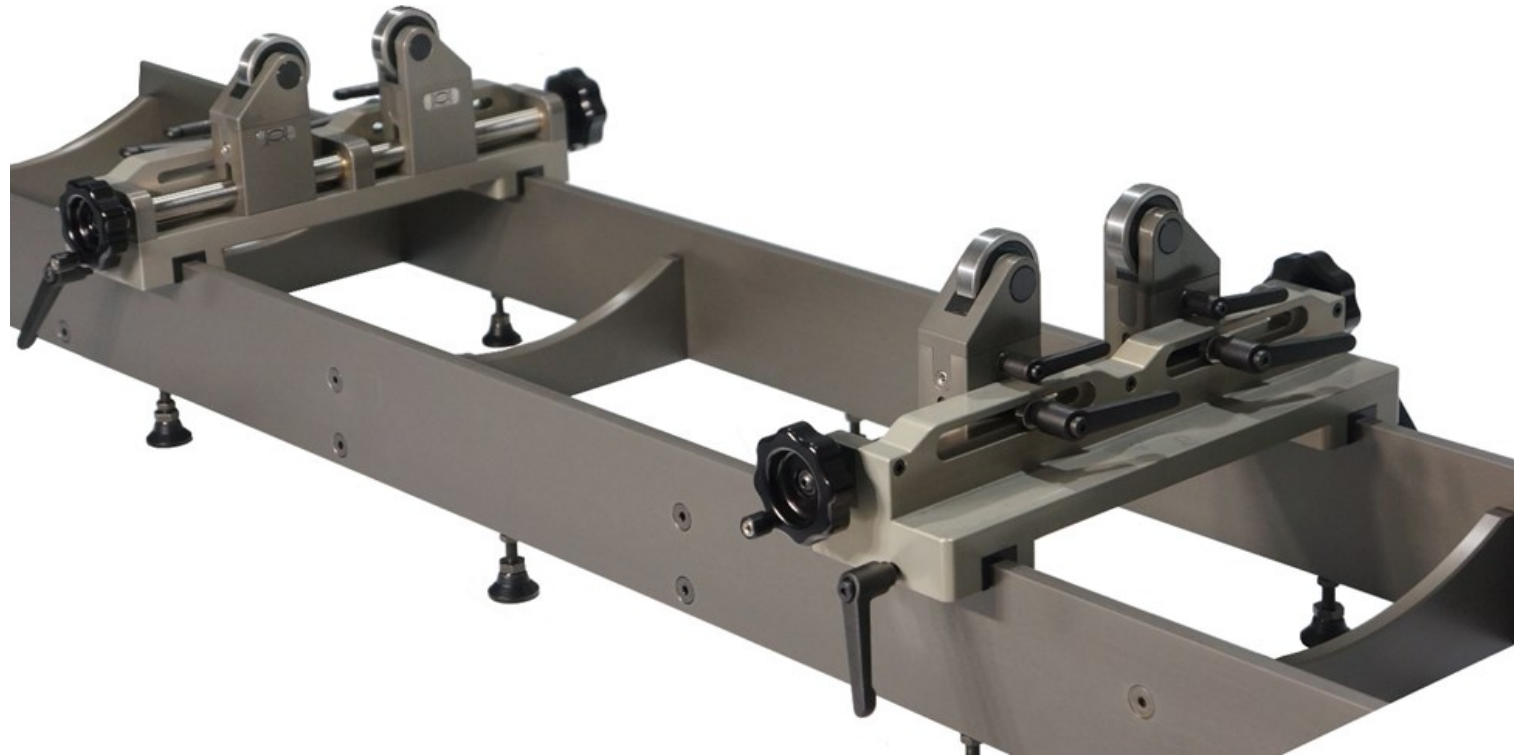




SINCE 1997 MADE IN THE USA



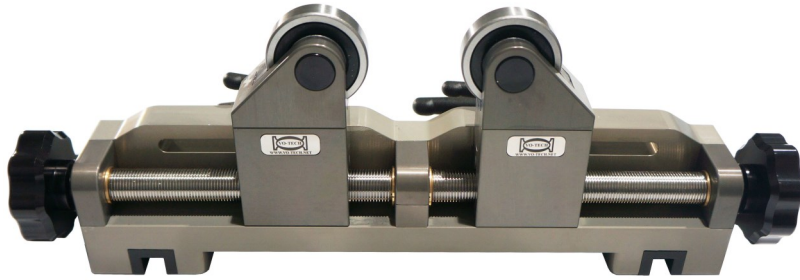
THE PERFECT ADDITION TO YOUR SHOP FLOOR OR QUALITY CONTROL DEPARTMENT! OUR V-BLOCK ROLLERS ARE A PATENT-PENDING, MULTI-USE SOLUTION FOR CHECKING RUNOUT IN SHAFTS.

FEATURES:

- ACCOMODATE SHAFTS FROM 1/8" TO 12" DIAMETER
- VARIETY OF ATTACHMENTS (BEARINGS, V-BLOCKS)
- CUSTOM FIT CARRYING CASE
- HARDCOAT W/PTFE ANODIZED FOR LONG LIFE
- T.I.R FOR ROLLERS ATTACHMENTS IS LESS THAN 0.0006"
- QUICK & EASY SETUP
- ADJUSTABLE LEVELING FEET
- AVAILABLE RAIL SYSTEM FOR ENHANCED REPEATABILITY (2-12' LONG)
- WEIGHT RANGE 50-2000 LBS (DEPENDING ON ATTACHMENT)

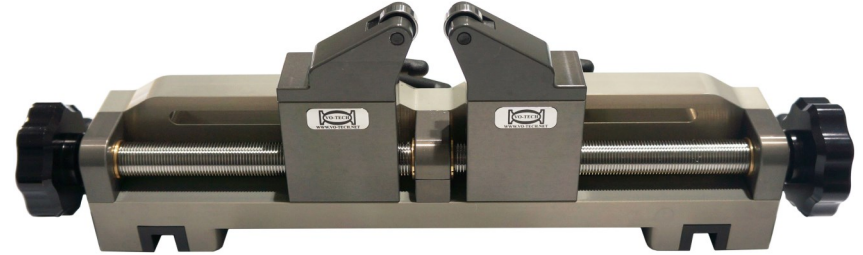
V-BLOCK ROLLERS

AVAILABLE ATTACHMENTS



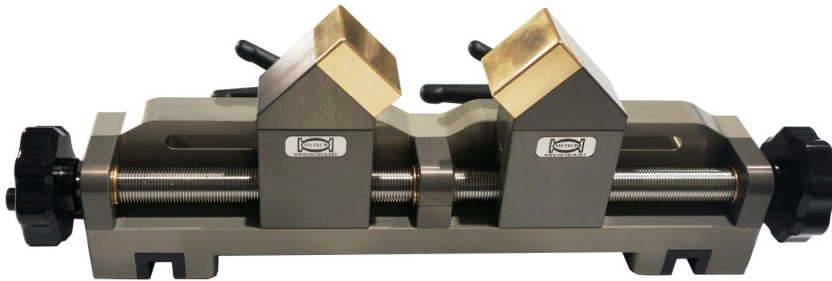
HEAVY DUTY ROLLERS ATTACHMENTS

SUPPORT UP TO 2000 LBS PER SET (500 LBS PER BEARING MAX)

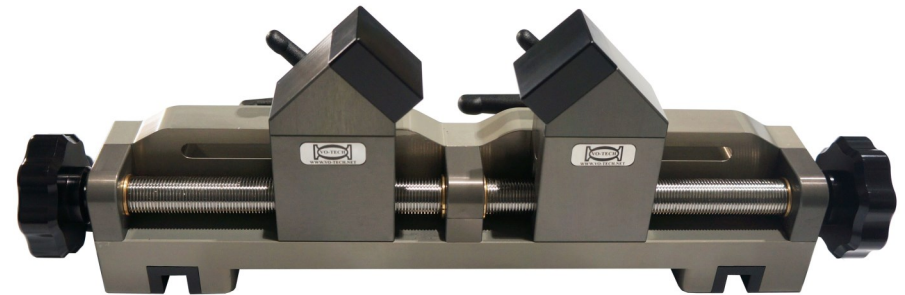


LIGHT DUTY ROLLERS ATTACHMENTS

SUPPORTS UP TO 100 LBS PER SET (25 LBS PER BEARING MAX)



BRONZE BLOCKS ATTACHMENTS



DELRIN BLOCKS ATTACHMENTS



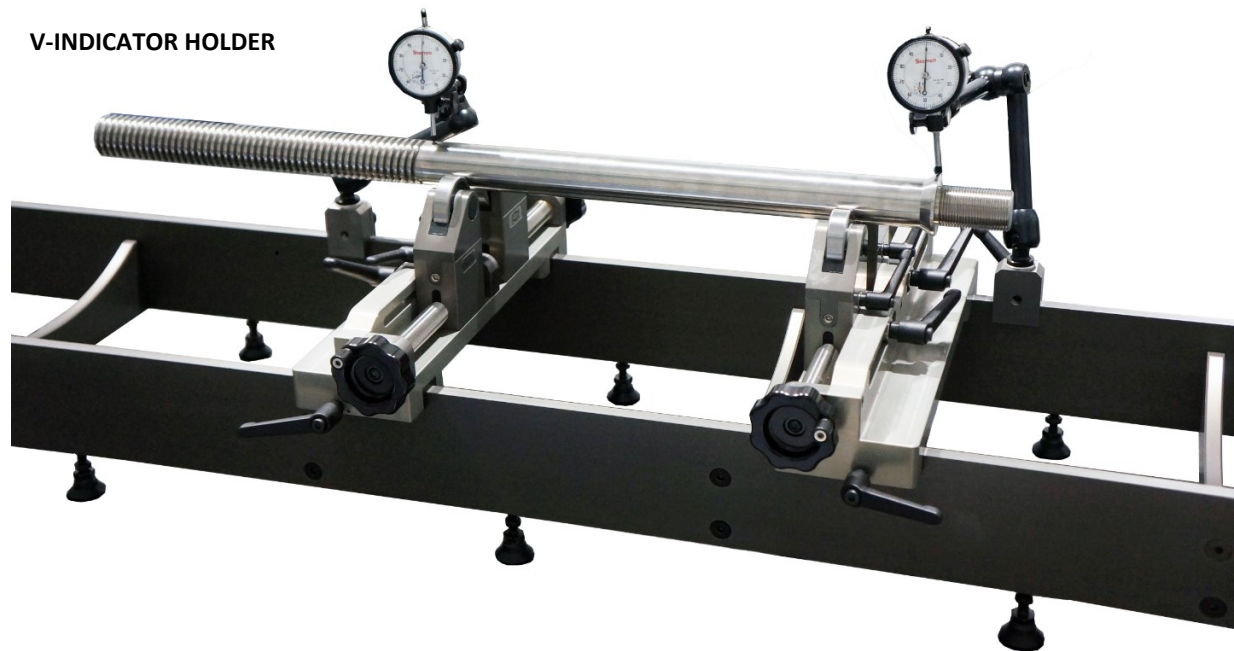
FOAM LINED HARD STORAGE CASE FOR SAFE TRANSPORTATION AND EASY STORAGE.



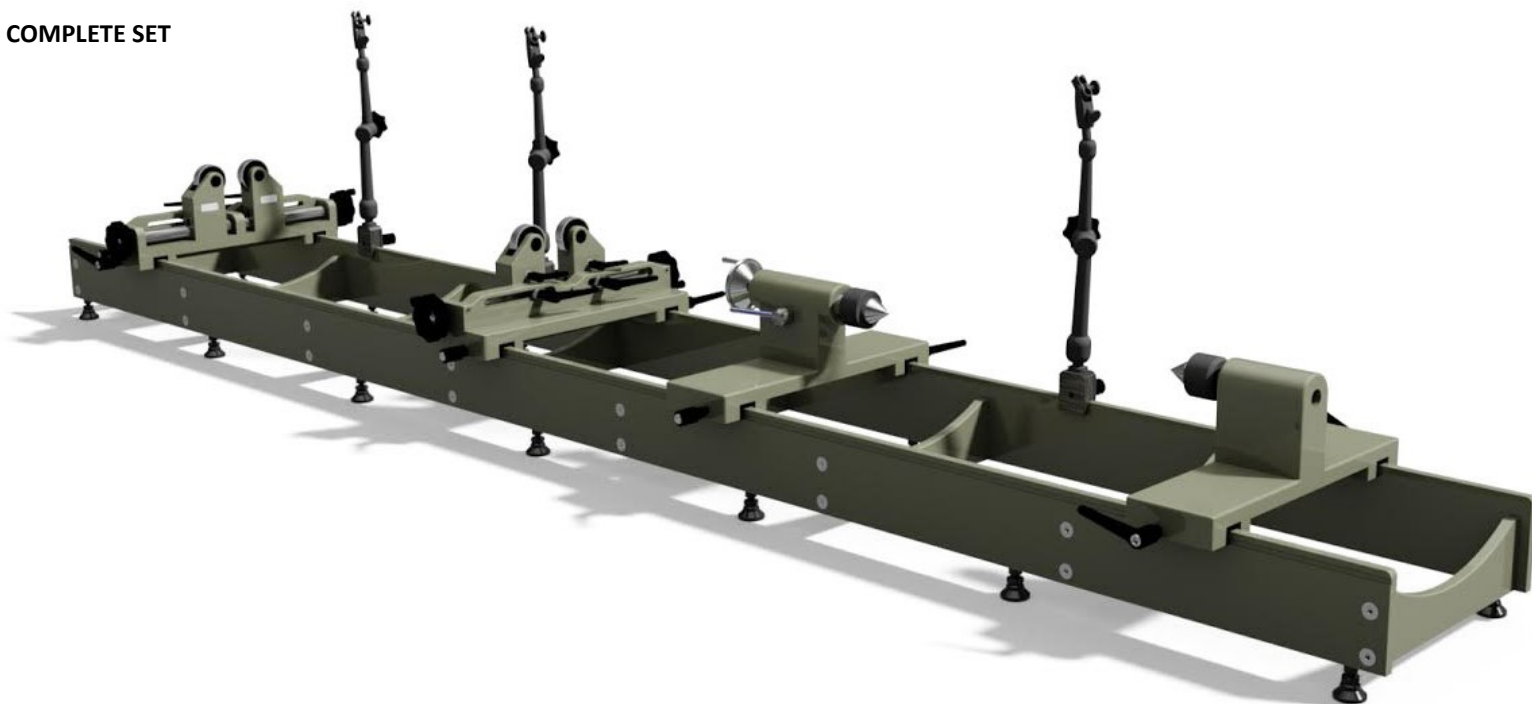
RAIL SYSTEM FOR ENHANCED REPEATABILITY

V-BLOCK ROLLERS

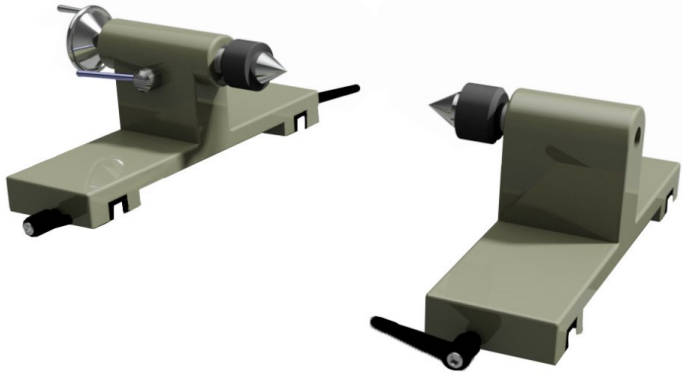
V-INDICATOR HOLDER



COMPLETE SET



V-BLOCK ROLLERS



VT-643741003 - VBlock Rollers Centers - **\$2,648.0** per set



VT-647341040 - VBlock Rollers Support Beam - **\$1,264.0** each

Beam are available in different lengths.

We also offer custom designed support bases.



VT-74111370 - Interapid indicator .06" travel, .001 graduation - **\$299.7** each

VT-74111372 - Interapid indicator .04" travel, .0001 graduation - **\$366.0** each



VT-643741028 - Indicator Holder - **\$295.0** each



VT-643741020 - VBlock Rollers Set - **\$1,984.0** per set



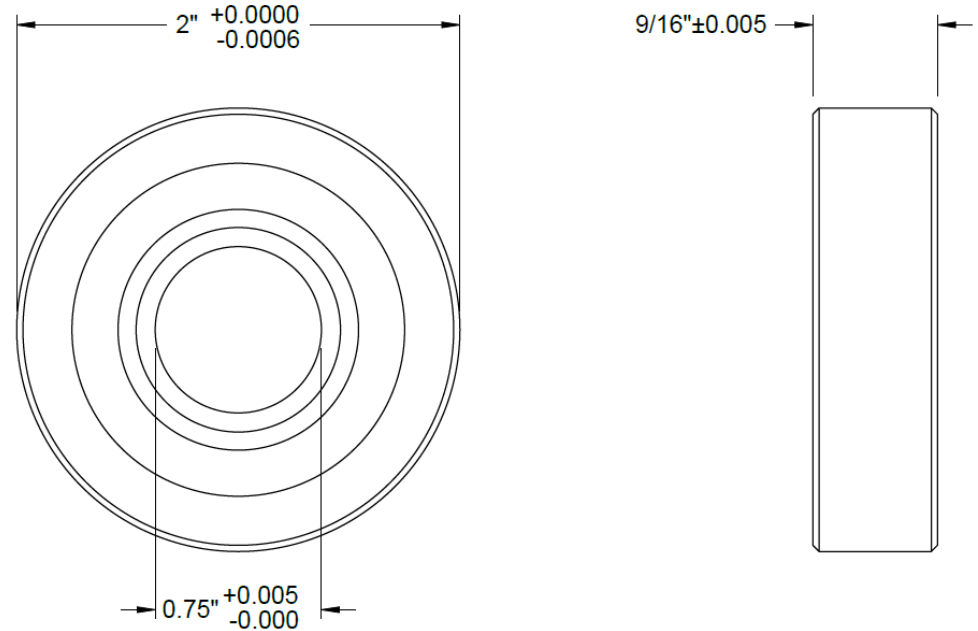
VT-53295 - Starrett Indicator 1.0" Travel, .001" graduation - **\$169.6** each

VT-53301 - Starrett Indicator 0.2" Travel, .0001" graduation - **\$335.9** each

Heavy Duty Rollers Attachments - Ball Bearings information

Sealed, Number 3038-2RS, for 3/4" Shaft Diameter

Bearing Type	Ball
For Load Direction	Radial
Construction	Single Row
Seal Type	Sealed
Inner Ring Type	Standard
Ball Bearing Type	Standard
Trade No.	3038-2RS
For Shaft Type	Round
For Shaft Diameter	3/4"
ID	0.75"
ID Tolerance	0" to 0.005"
For Housing ID	2"
OD	2"
OD Tolerance	-0.0006" to 0"
Width	9/16"
Width Tolerance	-0.005" to 0.005"
Ring Material	Steel
Ball Material	Steel
Cage Material	Nylon Plastic
Seal Material	Buna-N Rubber
Radial Load Capacity, lbs.	
Dynamic	1,450
Static	1,350
Maximum Speed	2,500 rpm
Lubrication	Lubricated
Lubricant	Grease
Shaft Mount Type	Press Fit
Temperature Range	-20° to 250° F
ABEC Rating	Not Rated
Min. Radial Clearance	0.001"
Maximum Radial Clearance	0.005"
RoHS	Compliant



Light Duty Rollers Attachments - Ball Bearings information

Sealed, Trade Number R4A-2RS, for 1/4" Shaft Diameter

Bearing Type	Ball
For Load Direction	Radial
Construction	Single Row
Seal Type	Sealed
Inner Ring Type	Standard
Ball Bearing Type	Standard
Trade No.	R4A-2RS
For Shaft Type	Round
For Shaft Diameter	1/4"
ID	0.25"
ID Tolerance	-0.0003" to 0"
For Housing ID	3/4"
OD	0.75"
OD Tolerance	-0.0004" to 0"
Width	9/32"
Width Tolerance	-0.005" to 0"
Ring Material	Steel
Ball Material	Steel
Cage Material	Steel
Seal Material	Buna-N Rubber
Radial Load Capacity, lbs.	
Dynamic	620
Static	230
Maximum Speed	30,000 rpm
Lubrication	Lubricated
Lubricant	Grease
Shaft Mount Type	Press Fit
Temperature Range	-20° to 230° F
ABEC Rating	ABEC-1
Radial Clearance Trade No.	C3
Radial Clearance	0.0003" to 0.0009"
RoHS	Compliant

