



SINCE 1997 MADE IN THE USA

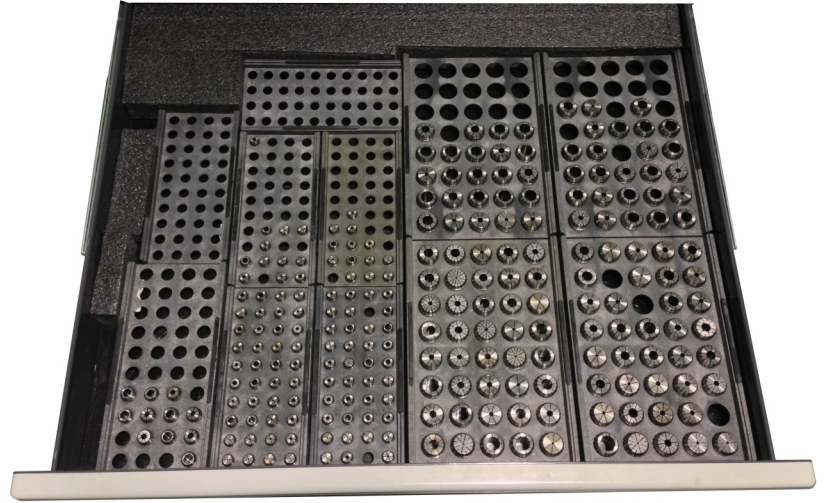


PREMIUM HEAVY-DUTY SHOP TABLES ADD ROCK SOLID STORAGE TO YOUR SHOP, MANUFACTURING FACILITY, OR ANYWHERE ELSE THAT NEEDS HEAVY-DUTY STORAGE. UPGRADE YOUR FACILITY WITH THESE PREMIUM TABLES FOR A CLEAN LOOK AND YEARS OF EXTREME USE!

FEATURES:

- 48" x 96" x 1" STEEL TOP WITH 10,000 LB LOAD CAPACITY
- 30" x 96" x .75" STEEL TOP WITH 6,000 LB LOAD CAPACITY
- 30" x 50" x .75" STEEL TOP WITH 6,000 LB LOAD CAPACITY
- DRAWER CAPACITIES FROM 500 LBS TO 2,000 LBS
- DRAWER VOLUMES FROM 5,000 IN³ TO 47,000 IN³
- DRAWER SIZES FROM 38" TO 81" WIDE
- CENTRAL KEY LOCK AVAILABLE
- EASY TO MOVE
- POLYCARBONATE PROTECTIVE COVER
- ROLLER BEARING DRAWER SLIDES
- ADJUSTABLE LEVELING FEET
- CUSTOMIZABLE DRAWER CONFIGURATION
- CUSTOMIZABLE VISE(S), TOOL SETTING HOLDERS, ETC.
- CUSTOM PAINT SCHEMES AVAILABLE
- UNITS WEIGHT 1200 — 3500 LBS.

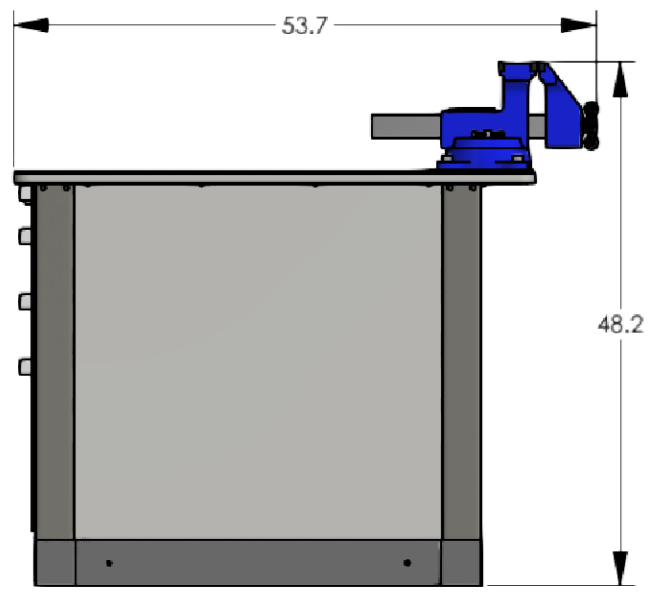
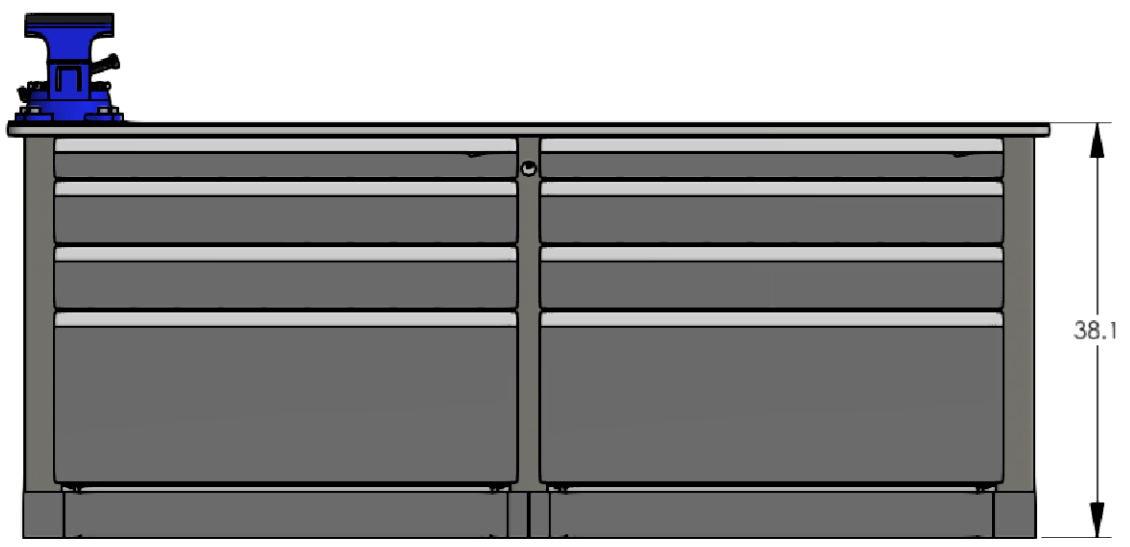
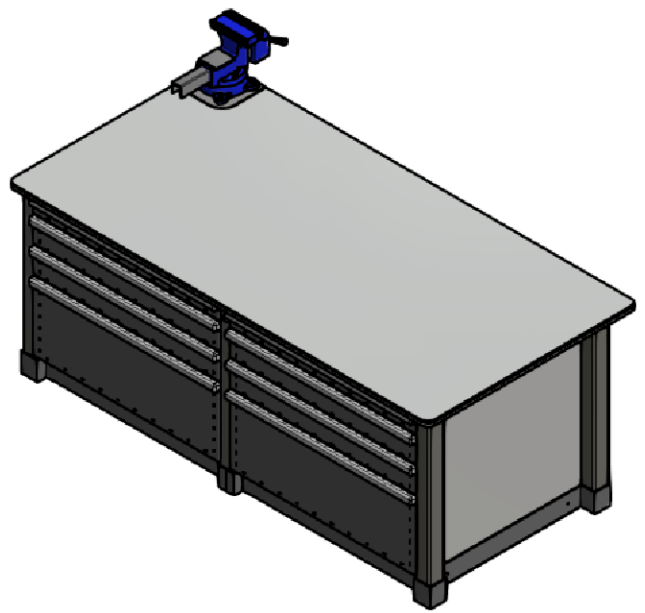
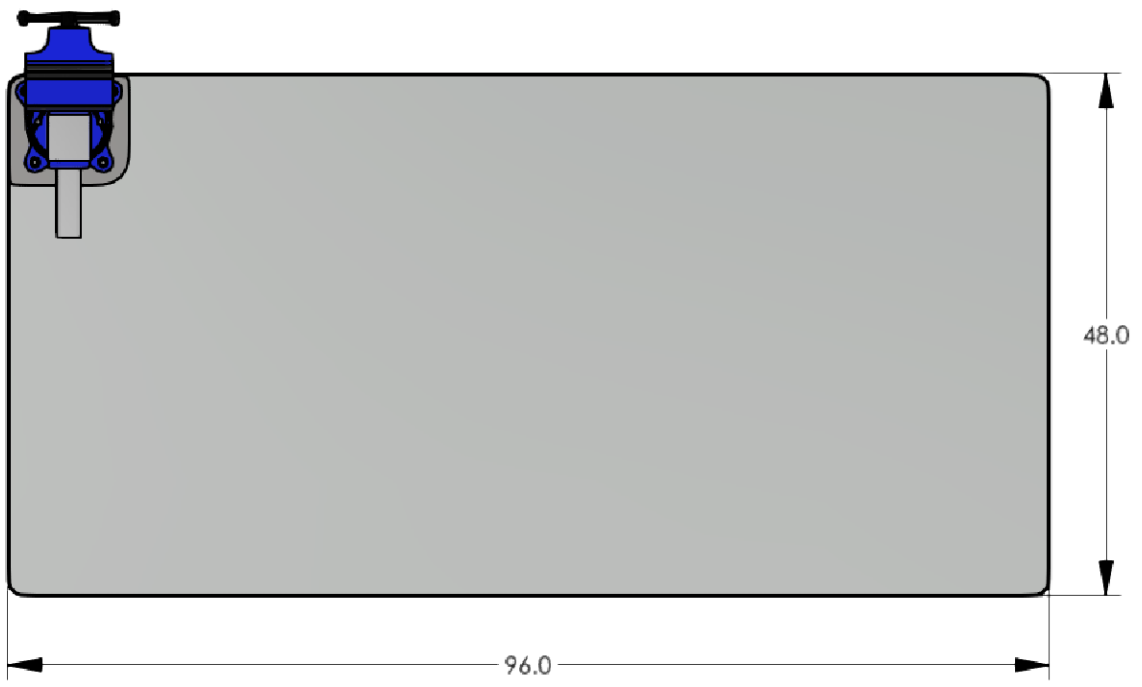
HEAVY-DUTY SHOP TABLES



SAFE, EFFECTIVE, AND ORGANIZED STORAGE FOR YOUR TOOLS, HOLDERS, COLLETS, GAUGES, FIXTURES AND EVEN MACHINE ATTACHMENTS.

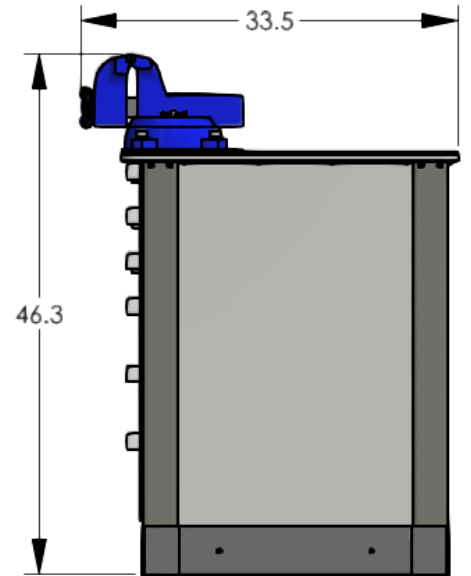
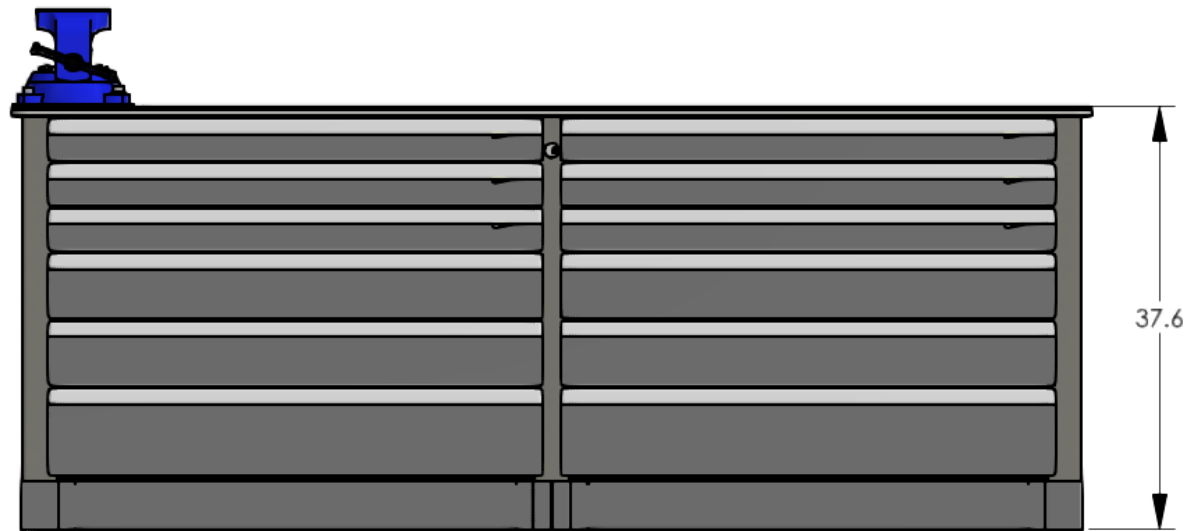
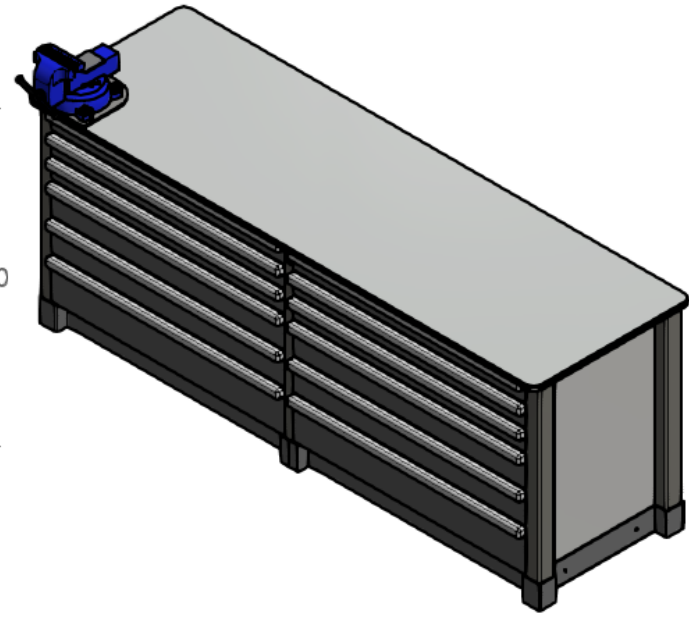
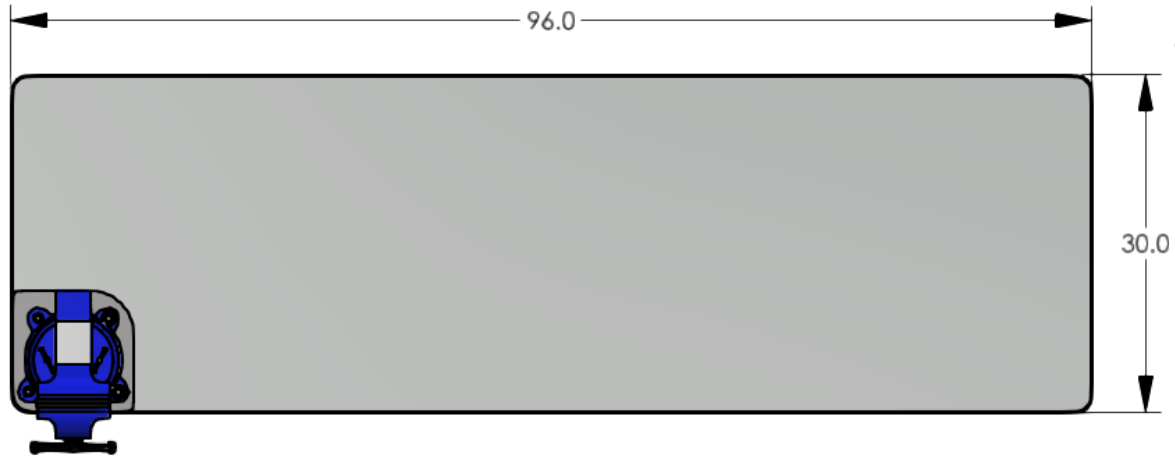


HEAVY-DUTY SHOP TABLES



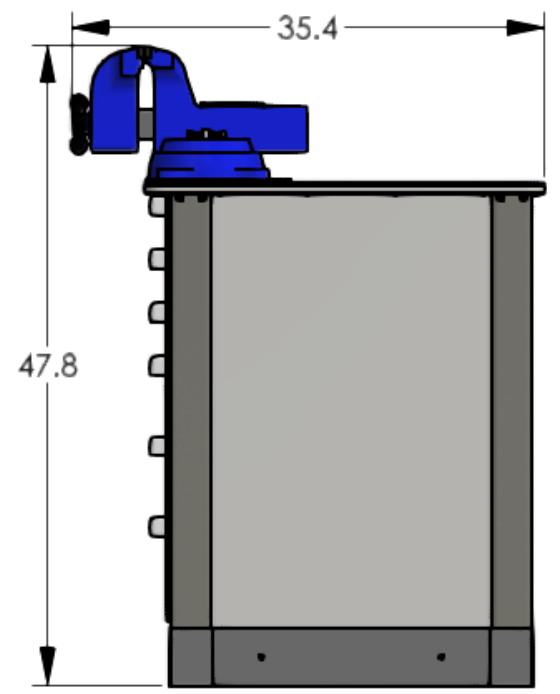
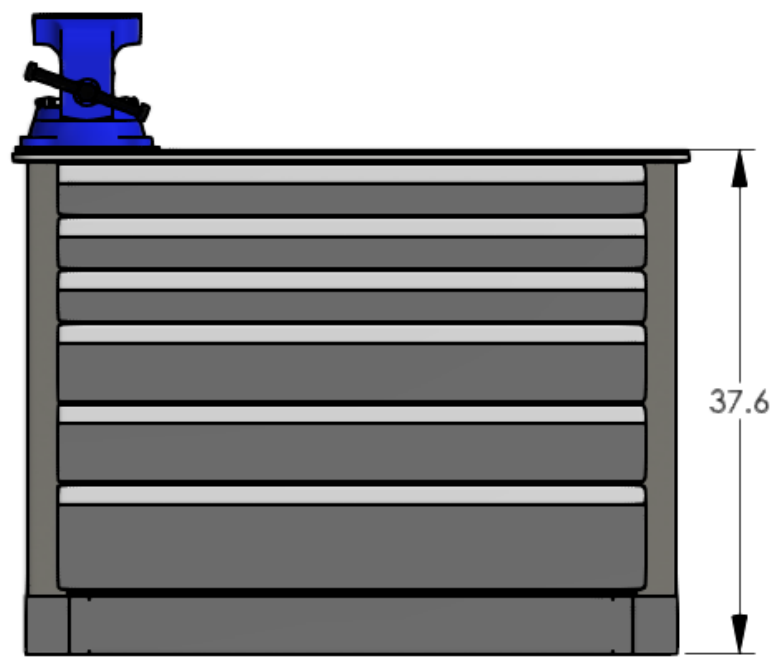
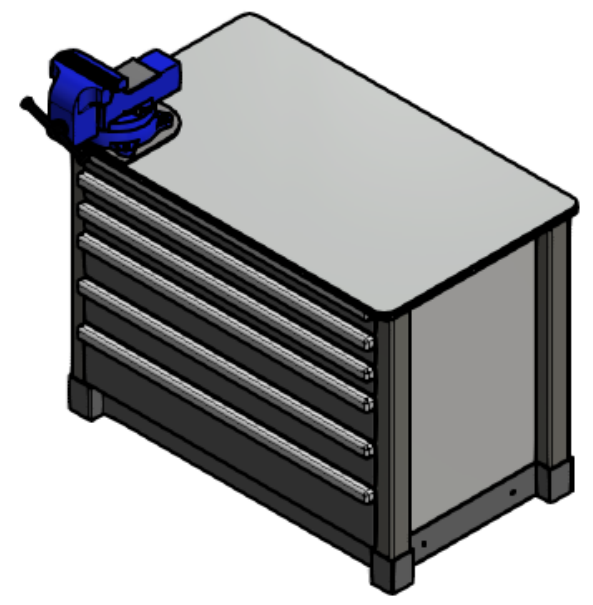
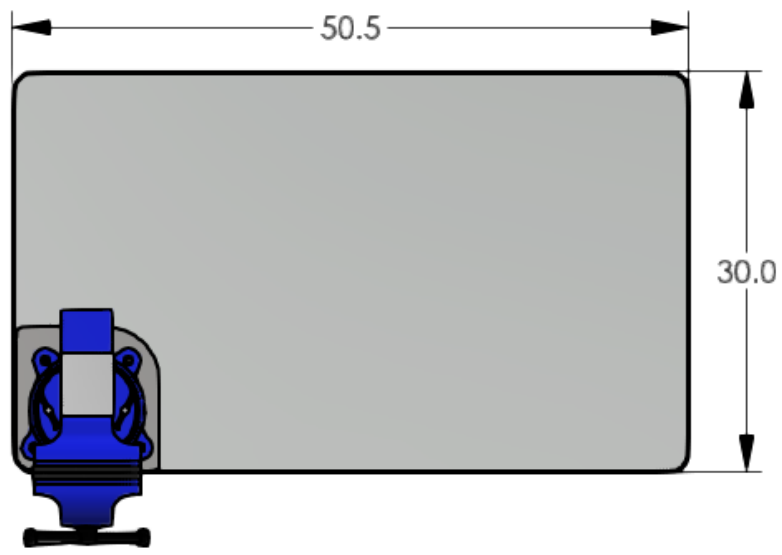
HEAVY-DUTY SHOP TABLES

HEAVY-DUTY SHOP TABLES



HEAVY-DUTY SHOP TABLES

HEAVY-DUTY SHOP TABLES



HEAVY-DUTY SHOP TABLES